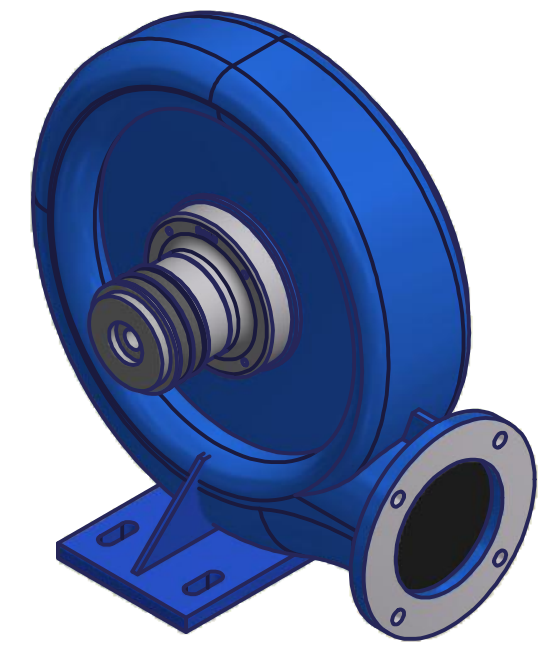
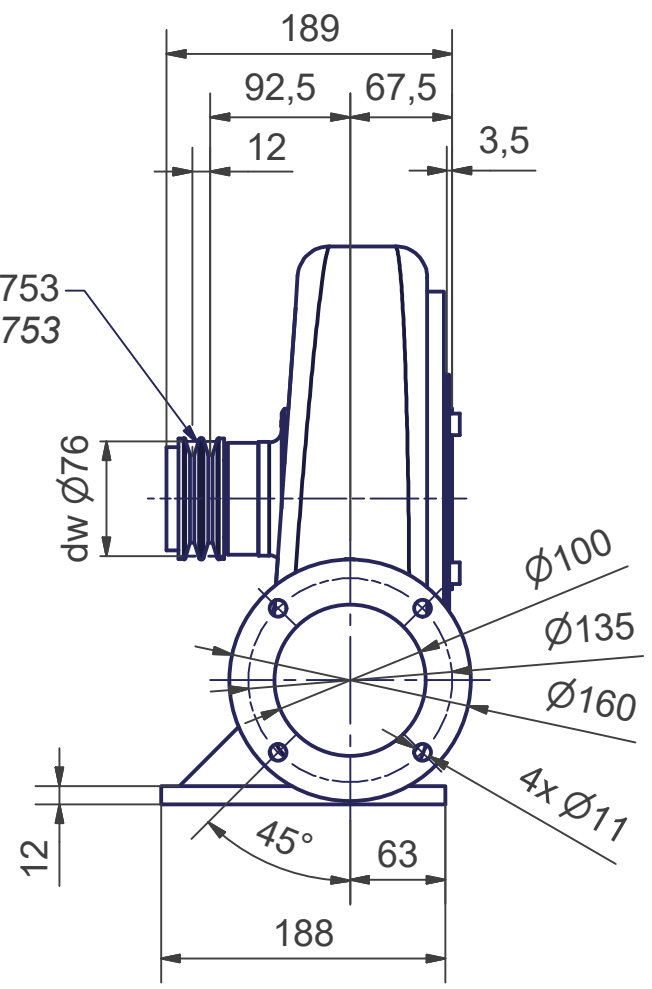
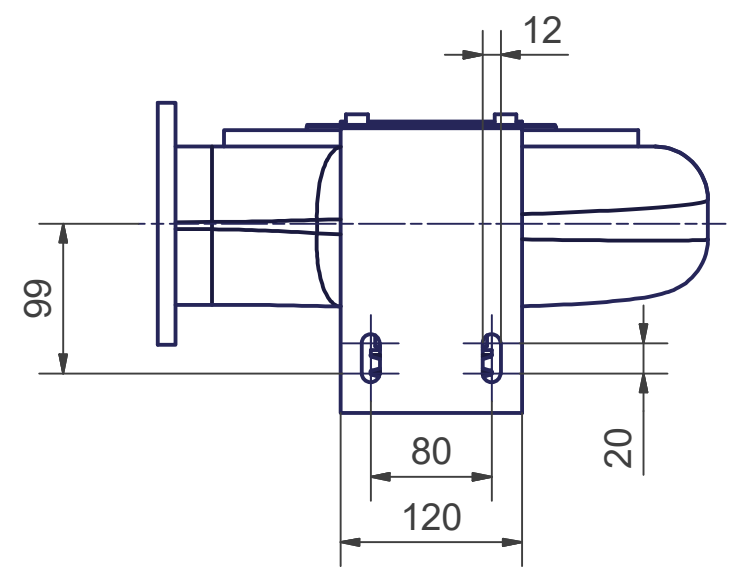


Riemenprofil XPZ DIN 7753
V-belt profile XPZ DIN 7753



X (1:5)



Maße in mm - unverbindlich. Änderungen vorbehalten.
Dimensions in mm - subject to modifications. Changes reserved.

Revision		-	
Without our permission, this drawing may not be copied or reproduced, nor communicated or made accessible to third parties, in particular competitors. Illegal use by the recipient or third party has civil and criminal consequences. All dimensions are in mm and non-binding. Technical changes reserved.			
general tolerances DIN ISO 2768-mk		workpiece edges DIN ISO 13715	
		outer edges $-0,2$ inner edges $+0,4$	
raw material	weight unit	weight	material-no.
ISO 8015: 2011	scale	date	name
	1:5	proc. 05.09.2019	ROTHT
	A3	audited 05.09.2019	ROTHT
HRD 14T, LG270 (Ar), 3D			1070850-CDD-000
			index
			-
			replaced by
			replaced
SAP DType IDWMN			

Elektror
airsystems gmbh