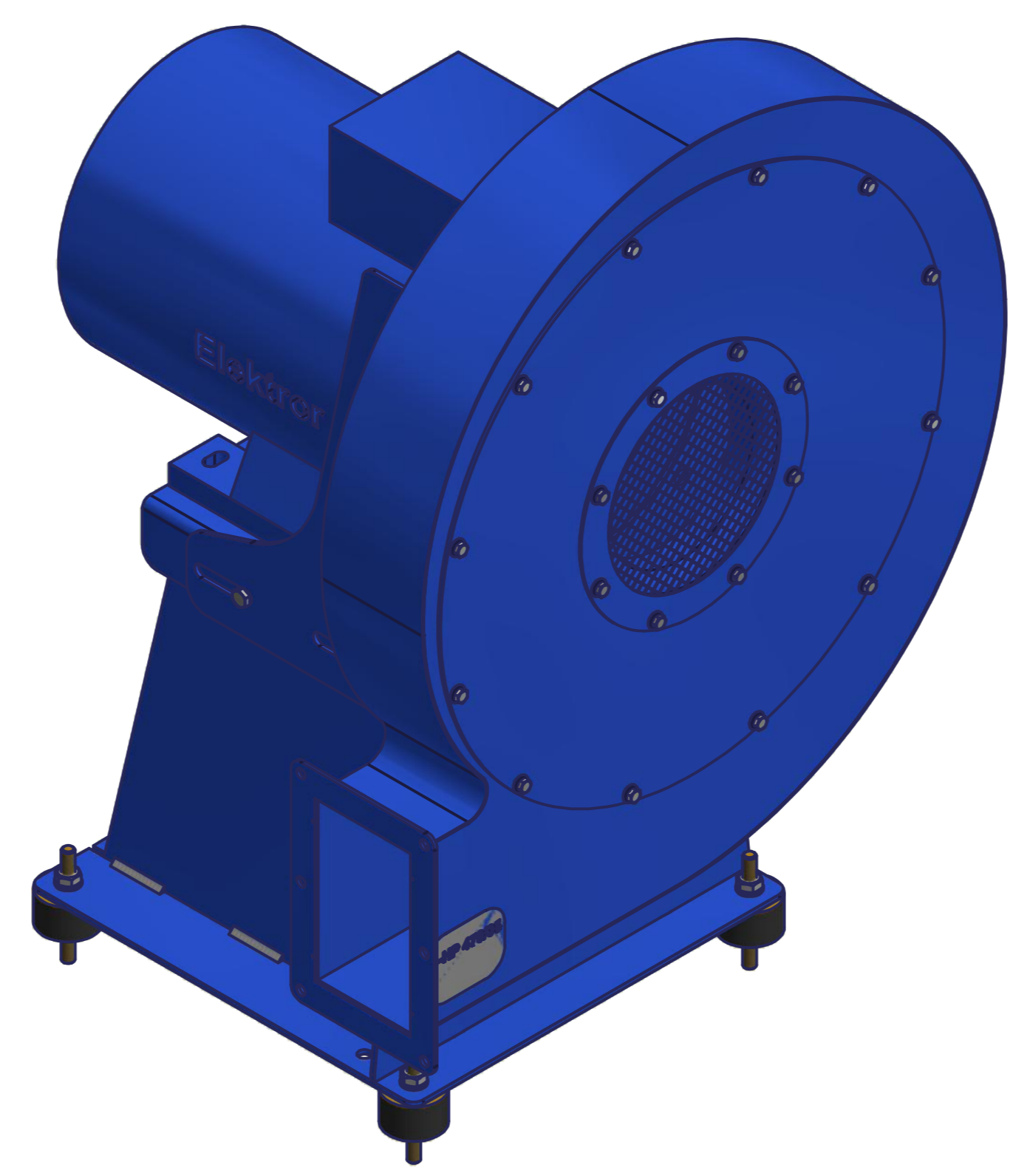


Ventilator	Motor	A	B	C	D
S-HP 470/35	15kW / 132S/L	408	258	500	695
S-HP 470/35	20kW / 132M	408	258	500	695



Maße in mm - unverbindlich. Änderungen vorbehalten.
 Dimensions in mm - subject to modifications. Changes reserved.

Revision		Korrektur Maß A von 510 auf 408	
Without our permission, this drawing may not be copied or reproduced, nor communicated or made accessible to third parties, in particular competitors. Illegal use by the recipient or third party has civil and criminal consequences. All dimensions are in mm and non-threading. Technical changes reserved.			
general tolerances DIN ISO 2768-mk		workpiece edges DIN ISO 13715	
		outer edges	inner edges
raw material	KG	103.509	blower type
ISO 8015:2011	scale	date	name
1/2	1/2	19.06.2019	ROTHT
AD	audited	19.06.2019	ROTHT
S-HP 470/35-100/15, 20, Stellung Ar, BG			1028822-CDD-000
SAP DType IDWVN			1028822-CDD-000